

INSTALLATION INSTRUCTIONS



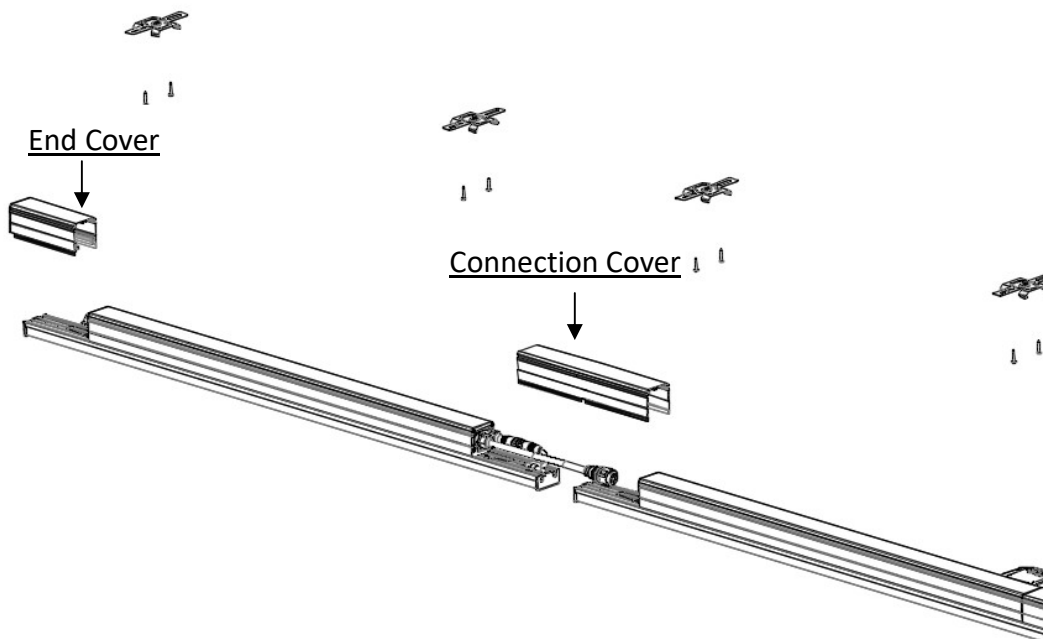
BEFORE YOU BEGIN

Read these instructions completely and follow.

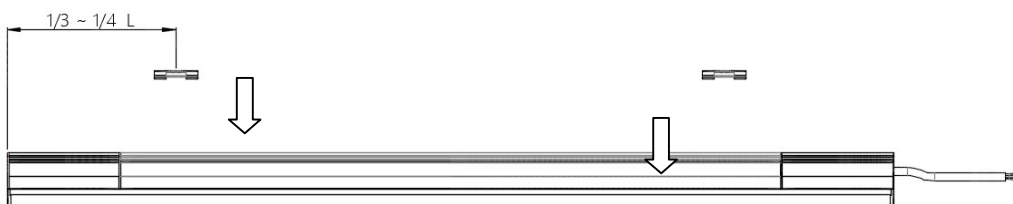
1. To avoid the possibility of electrical shock, turn off power supply before installation.
2. To avoid the possibility of fire, Product must be installed in accordance with NEC , CEC or your local electrical code.
3. Repair the lamps after 30 minutes of power off.
4. Based on security considerations, 2 people may be necessary during installation.
The VL series allows a maximum current of **10A**. Please note that the number of luminaire connections does not exceed the allowed power. Please refer to the electrical connections (page 7).
5. We recommend that the luminaire be installed on the gypsum board. The gypsum board thickness is 1/2" or higher is better.

TO INSTALL

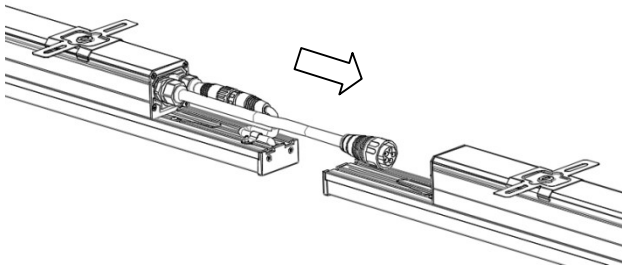
Ceiling Mount / Wall Mount



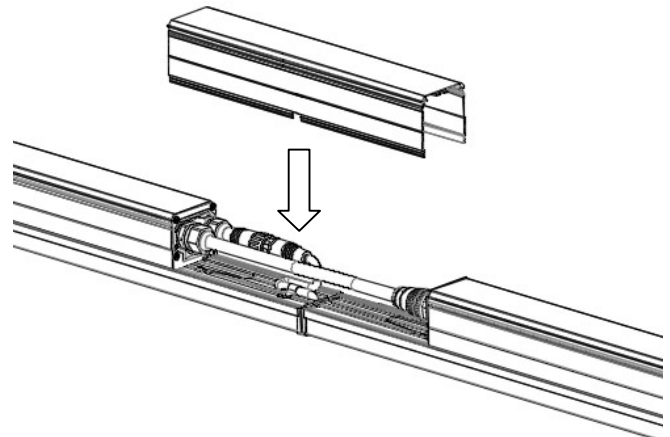
1. Install the clips on the lamp.
2/3/4 Ft : 2 Clips
8ft : 3 Clips



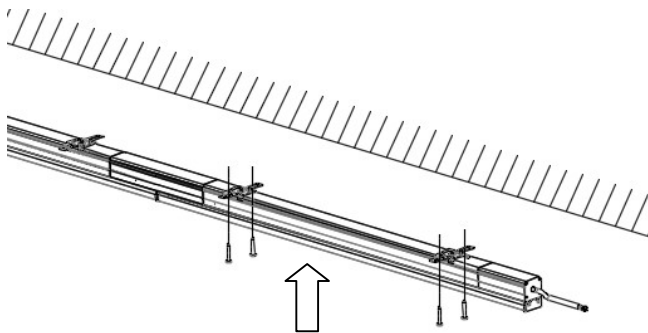
2. Connect the power cord of the second lamp to the first lamp.



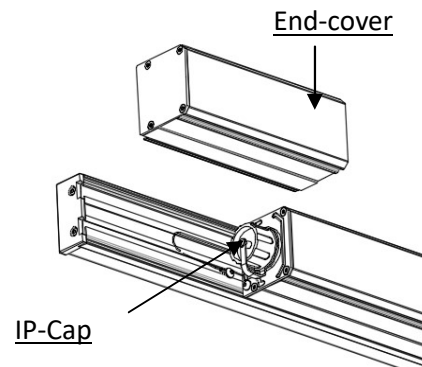
3. Install the connection cover.



4. Fix the first lamp to the ceiling or wall with screws.

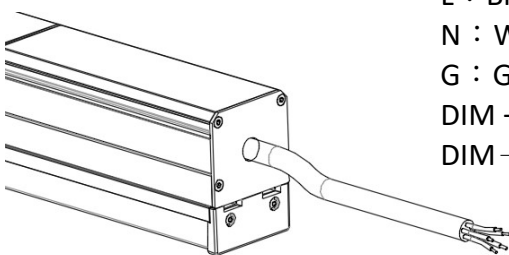


5. Repeat steps 1~4 to install other fixtures. Install the IP-cap of the last lamp. And put on the End-cover.

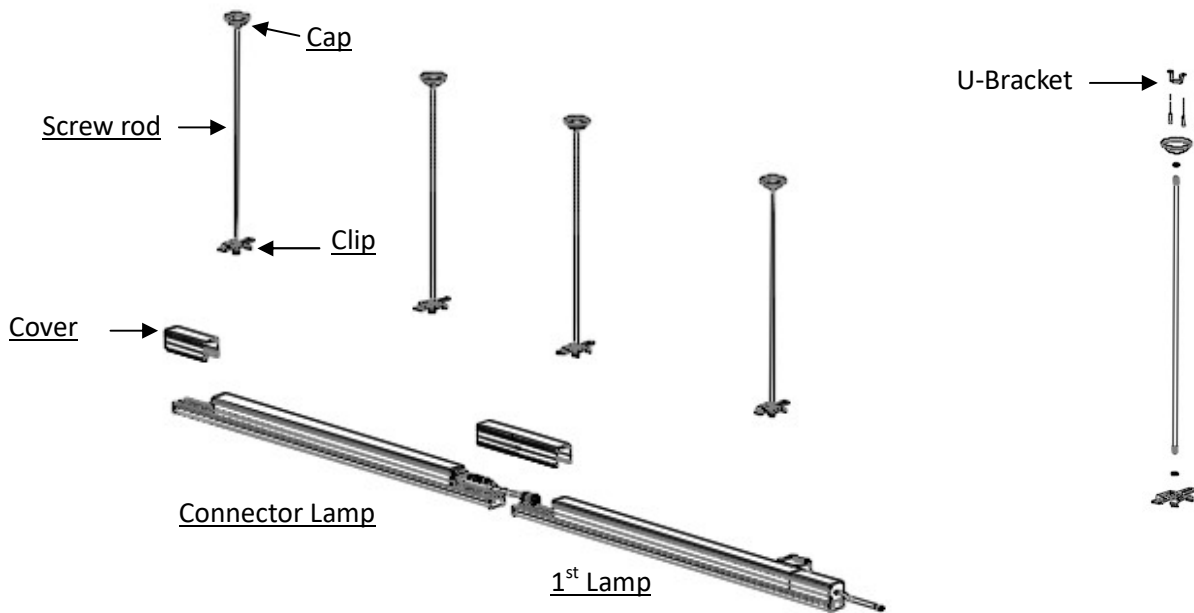


6. Connect the cord to the supply wiring per the Electrical Connections section.

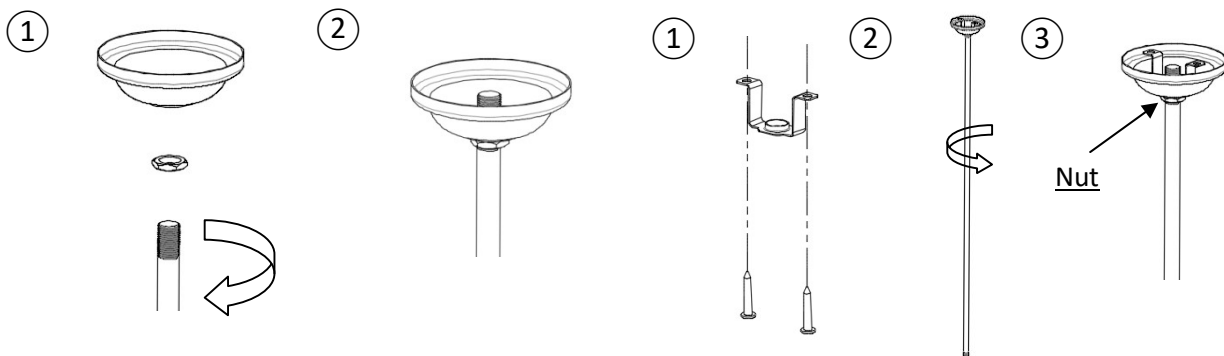
- L : Black
- N : White
- G : Green
- DIM + : Red or Violet
- DIM - : Yellow or Gray



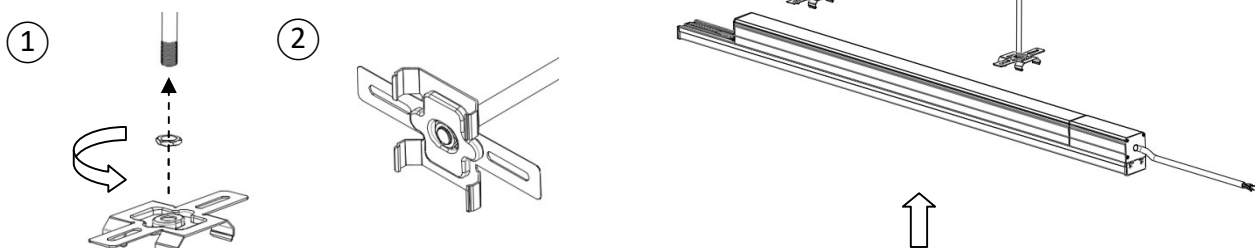
Pendant Mount



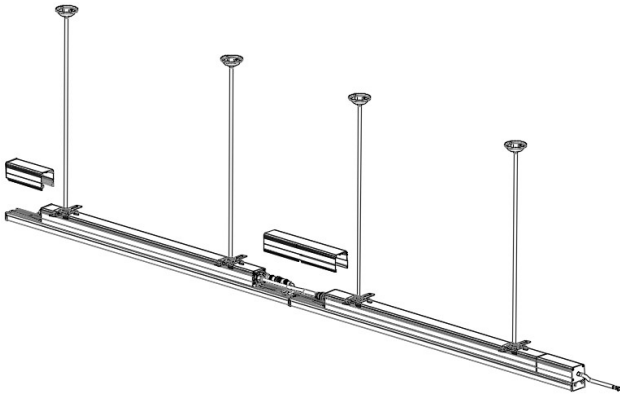
1. Turn the nut into the bottom of the screw rod. Then put the cap into the screw rod.
2. Fix the U-bracket to the ceiling with screws. Turn the screw rod counterclockwise into the U-bracket, and then lock the nut.



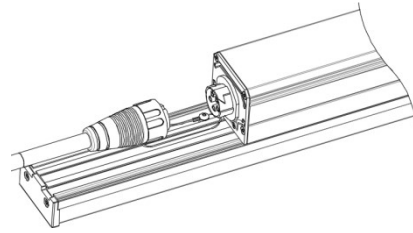
3. Turn the nuts and Clips into the screw rod in a counterclockwise direction. Then tight the nut after check the direction of clips. The screw rods cannot protrude the bottom of the clip.
4. Install the luminaries into the clip. (8 ft fixtures need 3 clips)



5. Repeat steps 1~4 to install other fixtures.



6. Joint waterproof connector

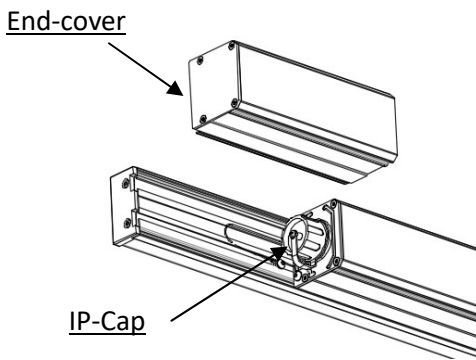


7. Install the Cap & Cover

7-1 Install IP-cap of the last lamp.

7-2 Install the End-cover.

7-3 Install all of the covers.



8. Connect the cord to the supply wiring per the Electrical Connections section.

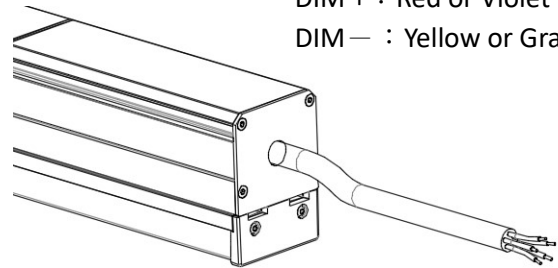
L : Black

N : White

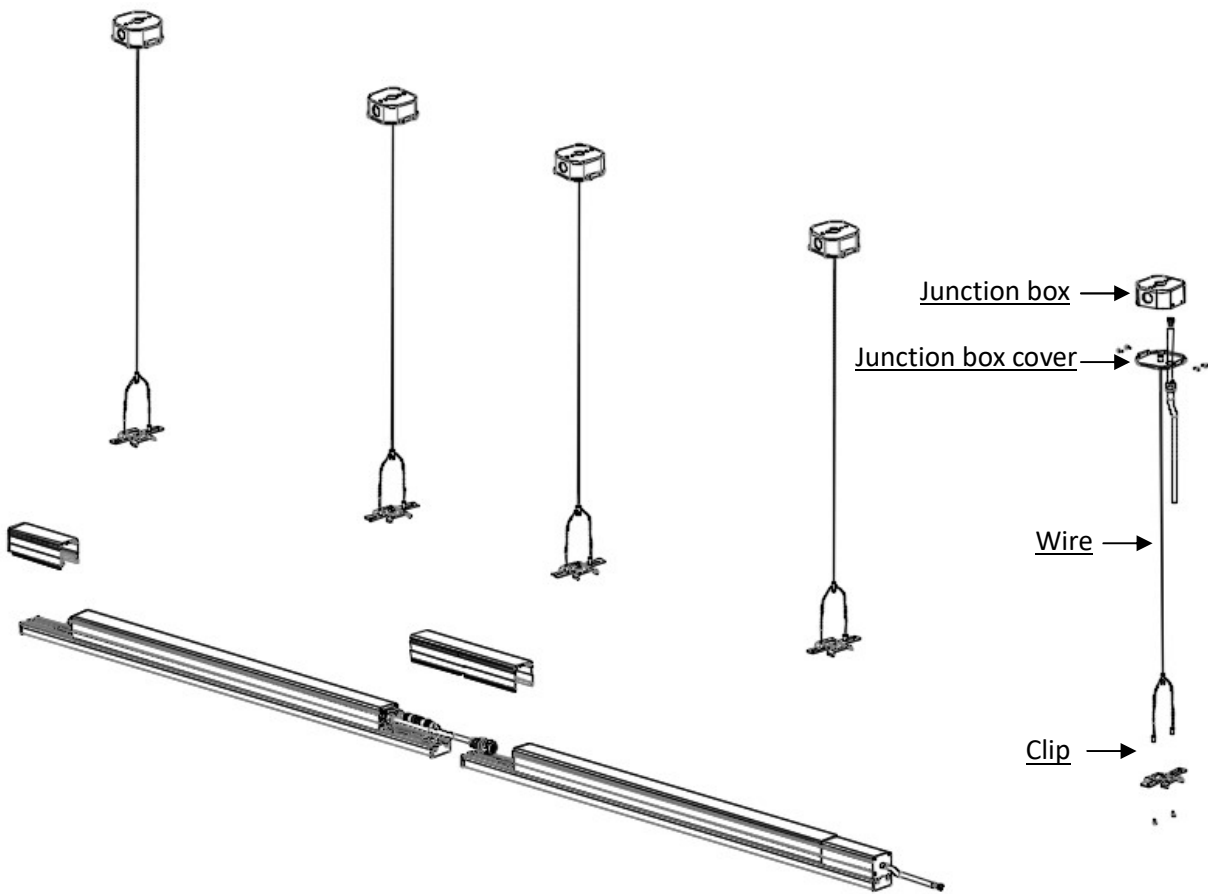
G : Green

DIM + : Red or Violet

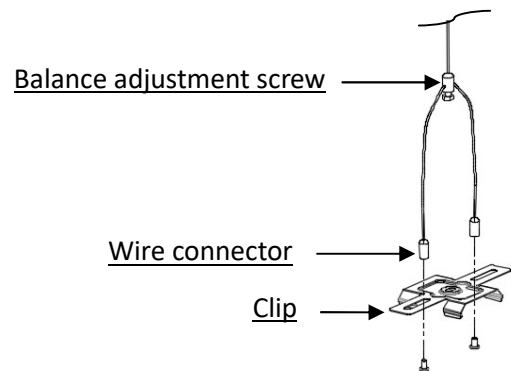
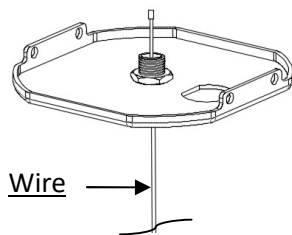
DIM - : Yellow or Gray



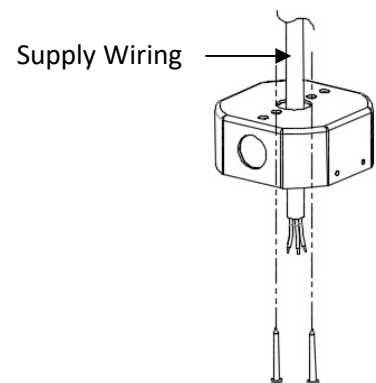
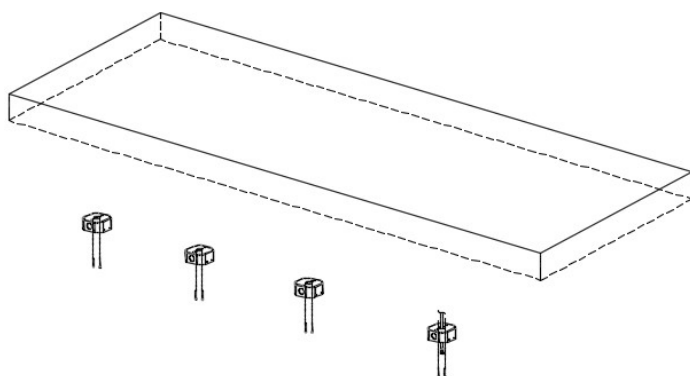
Suspension Mount



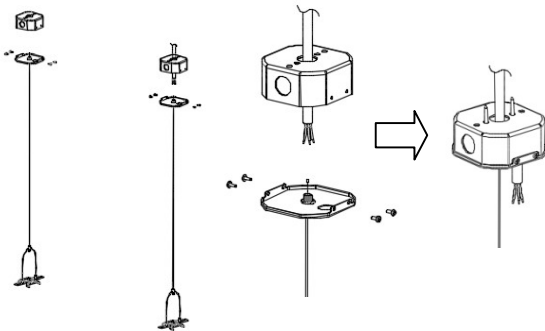
1. Fix the wire anchor to the junction box cover. And adjust the length of the wire. Do not cut the wire.
2. Fix the wire connectors and clips.



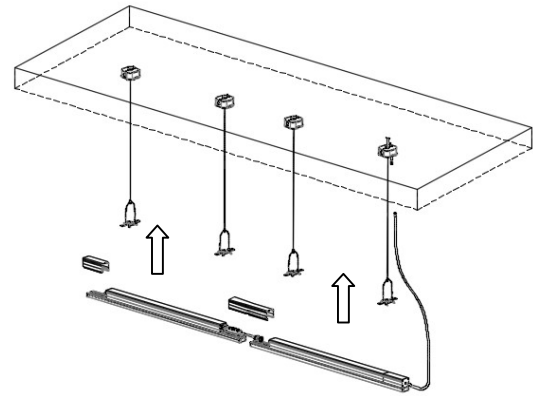
3. Fix the junction boxes to the ceiling with the screws.



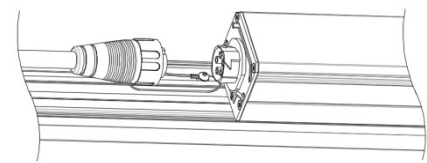
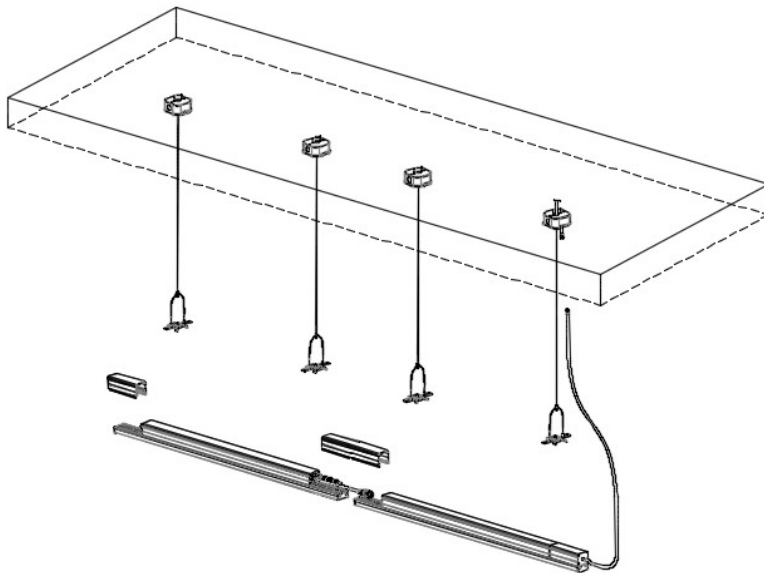
4. Joint the junction boxes and the wire assemblies.



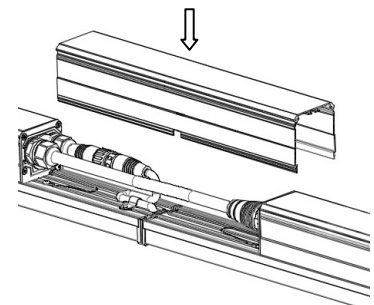
5. Joint the luminaries and Clips.



6. Joint the connectors and covers.



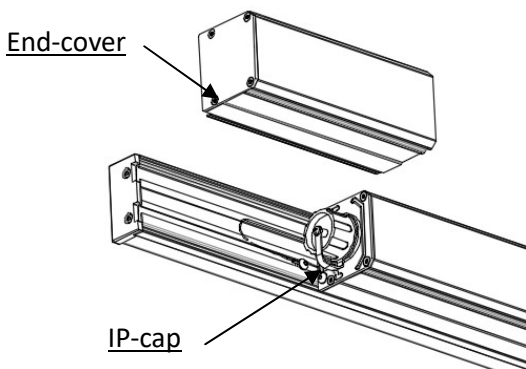
Joint the connectors



Install the connection covers

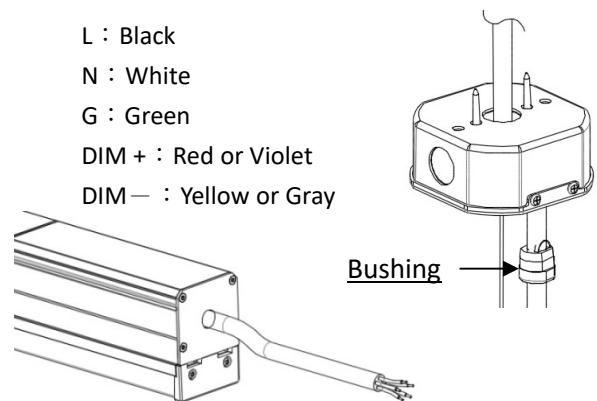
7. Install the Cap & Cover

- 7-1 Install IP-cap of the last lamp.
- 7-2 Install the End-cover.



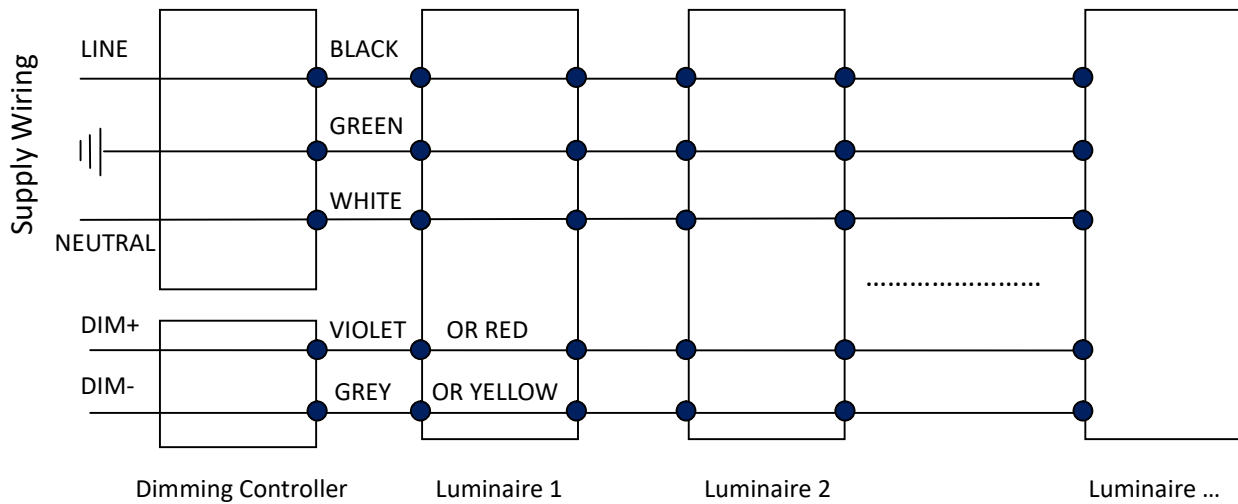
8. Connect the cord to the supply wiring per the Electrical Connections section. Then insert the bushing into the cover.

- L : Black
- N : White
- G : Green
- DIM + : Red or Violet
- DIM - : Yellow or Gray



ELECTRICAL CONNECTIONS

1. Wiring diagram



2. Number of connections

The VL series allows a maximum current of **10A**. Please note that the number of luminaire connections does not exceed the allowed power.

	2ft			3ft			4ft			8ft		
Power Consumption(W)	9	18	25	14	27	38	18	36	50	36	72	98
Current (A) / 120V	0.08	0.15	0.21	0.12	0.23	0.32	0.15	0.30	0.42	0.30	0.60	0.82
Current (A) / 277V	0.03	0.06	0.09	0.05	0.10	0.14	0.06	0.13	0.18	0.13	0.26	0.35
Number of connections @120V	133	66	48	85	44	31	66	33	24	33	16	12
Number of connections @277V	307	153	110	197	102	72	153	76	55	76	38	28