



Maxim3™ Series

Project Name: _____

CATALOG: _____

NOTES: _____

LED Vapor Tight - Waterproof

Key Features

UP to 146LPW

IP66

CRI 87

UL Listed

4', 5' & 8'

4000K & 5000K

110-277V

NSF

Stainless Steel Clips

Operating Temp -40°F to 105°F

5 Year Warranty



DESCRIPTION

The Maxim3™ Series Vapor Tight luminaire is a generation 3 product that meets the latest DLC 4.3 technical requirements and at the same time is a best in class solution. Offering industry leading sizes of 4', 5' and our new 8', this family of products is a complete solution for all your waterproof linear lighting needs. Product is NSF rated and can be installed in all food environments. These IP66-rated fixtures are designed to replace less-efficient fluorescent strip lights in parking garages, food service/processing, car wash operations, refrigerated spaces, airports, tunnels, maintenance areas and stairwells. Easy to install adding further savings. Rebates available under Low-Bay/High-Bay lighting categories offered by participating utility companies. Optional integrated motion sensor available.

CONSTRUCTION

UV-stabilized, injection-molded, impact-resistant, polycarbonate housing. Aluminum sheet metal board plate for optimized thermal conduction and structure support. Stainless steel clips for more durability while exposes in tougher environments. Optical design allows for up light.

OPTICS

UV-stabilized, injection-molded, impact-resistant, clear transparent and frosted polycarbonate lens with symmetrical optical control for broad light distribution.

ELECTRICAL

Utilizes high-efficiency LEDs mounted to core circuit boards. 5000 Kelvin temperature standard, with additional color temperatures also available. High efficiency driver operates 100V through 277V, 50-60HZ. Integral surge protection standard and tested in accordance with IEEE/ANSI C62.41.2 to Category C. 0-10V dimming standard.

INSTALLATION

Stainless steel surface mounting brackets standard (2 included). A variety of stainless steel mounting options also available: J-box mounting and mounting brackets for suspension with aircraft cable (cable not included). Optional stainless steel V-hooks available for chain hanging (chain not included). Conduit entry at each end and on the top of the fixture.



4 & 5 FOOT ORDERING LOGIC

Example: MVT-50-65-F-X-V1

| Fixture Type | CCT | Wattage | Cover | Battery Option | Voltage | (Optional) Motion Sensor |
|-----------------------|------------------------|----------------------------|----------------------|------------------------------------|----------------------------|-------------------------------|
| MVT Maxim Vapor Tight | 40K 4000K 50K 5000K | 25 25W 40 40W 65 65W | C Clear F Frosted | X Normal F Emergency Battery | V1 100-277V V2 347-480V | N/A No Sensor M Integrated |

4 FOOT LED PREMIUM OPERATING SPECIFICATIONS

| Catalog Number | Length | Model Number | Wattage (Watts) | Dimensions (L x W x H) | Input (Volts) | CCT (Kelvin) | Optical | Lumens | LPW | CRI | Net Weight (lbs.) |
|----------------|--------|------------------|-----------------|------------------------|---------------|--------------|---------|--------|-----|-----|-------------------|
| 35161 | 4-foot | MVT-40-25-F-X-V1 | 25 | 45.7" x 4.7" x 4.3" | 100-277 | 4000 | Frosted | 3350 | 134 | >80 | 2.2 |
| 35171 | 4-foot | MVT-50-25-F-X-V1 | 25 | 45.7" x 4.7" x 4.3" | 100-277 | 5000 | Frosted | 3350 | 134 | >80 | 2.2 |
| 35201 | 4-foot | MVT-40-40-C-X-V1 | 40 | 45.7" x 4.7" x 4.3" | 100-277 | 4000 | Clear | 5800 | 145 | >80 | 2.2 |
| 35211 | 4-foot | MVT-40-40-F-X-V1 | 40 | 45.7" x 4.7" x 4.3" | 100-277 | 4000 | Frosted | 5200 | 130 | >80 | 2.2 |
| 35221 | 4-foot | MVT-50-40-C-X-V1 | 40 | 45.7" x 4.7" x 4.3" | 100-277 | 5000 | Clear | 5800 | 145 | >80 | 2.2 |
| 35231 | 4-foot | MVT-50-40-F-X-V1 | 40 | 45.7" x 4.7" x 4.3" | 100-277 | 5000 | Frosted | 5200 | 130 | >80 | 2.2 |

5 FOOT LED PREMIUM OPERATING SPECIFICATIONS

| Catalog Number | Length | Model Number | Wattage (Watts) | Dimensions (L x W x H) | Input (Volts) | CCT (Kelvin) | Optical | Lumens | LPW | CRI | Net Weight (lbs.) |
|----------------|--------|------------------|-----------------|------------------------|---------------|--------------|---------|--------|-----|-----|-------------------|
| 35501 | 5-foot | MVT-40-65-C-X-V1 | 65 | 61.4" x 4.7" x 4.3" | 100-277 | 4000 | Clear | 9490 | 146 | >80 | 3.1 |
| 35511 | 5-foot | MVT-40-65-F-X-V1 | 65 | 61.4" x 4.7" x 4.3" | 100-277 | 4000 | Frosted | 8450 | 130 | >80 | 3.1 |
| 35521 | 5-foot | MVT-50-65-C-X-V1 | 65 | 61.4" x 4.7" x 4.3" | 100-277 | 5000 | Clear | 9490 | 146 | >80 | 3.1 |
| 35531 | 5-foot | MVT-50-65-F-X-V1 | 65 | 61.4" x 4.7" x 4.3" | 100-277 | 5000 | Frosted | 8450 | 130 | >80 | 3.1 |

each model: PF 1.95 THD 10% Operating Temp -40°F to 105°F
5% variation on published numbers

8 FOOT ORDERING LOGIC

Example: MVT-8-50K-150W-F

| Fixture Type | Length | CCT | Wattage | Cover | (Optional) Motion Sensor | (Optional) Battery Option |
|-----------------------|----------|------------------------|--|----------------------|----------------------------------|---------------------------------|
| MVT Maxim Vapor Tight | 8 8 Foot | 40K 4000K 50K 5000K | 80 80W 100 100W 120 120W 150 150W | C Clear F Frosted | N/A No Sensor M V1-Integrated | X Normal F Emergency Battery |

8 FOOT LED PREMIUM OPERATING SPECIFICATIONS

| Catalog Number | Length | Model Number | Wattage (Watts) | Dimensions (L x W x H) | Input (Volts) | CCT (Kelvin) | Optical | Lumens | LPW | CRI | Net Weight (lbs.) |
|----------------|--------|------------------|-----------------|------------------------|---------------|--------------|---------|--------|-----|-----|-------------------|
| 34803 | 8-foot | MVT-8-40K-80W-F | 80 | 99" x 6" x 4" | 100-277 | 4000 | Frosted | 10480 | 131 | 82 | 19.8 |
| 34804 | 8-foot | MVT-8-50K-80W-F | 80 | 99" x 6" x 4" | 100-277 | 5000 | Frosted | 10560 | 132 | 82 | 19.8 |
| 34813 | 8-foot | MVT-8-40K-100W-F | 100 | 99" x 6" x 4" | 100-277 | 4000 | Frosted | 13000 | 130 | 82 | 19.8 |
| 34814 | 8-foot | MVT-8-50K-100W-F | 100 | 99" x 6" x 4" | 100-277 | 5000 | Frosted | 13100 | 131 | 82 | 19.8 |
| 34823 | 8-foot | MVT-8-40W-120W-F | 120 | 99" x 6" x 4" | 100-277 | 4000 | Frosted | 15600 | 130 | 82 | 19.8 |
| 34824 | 8-foot | MVT-8-50K-120W-F | 120 | 99" x 6" x 4" | 100-277 | 5000 | Frosted | 15840 | 132 | 82 | 19.8 |
| 34834 | 8-foot | MVT-8-50K-150W-F | 150 | 99" x 6" x 4" | 100-277 | 5000 | Frosted | 19800 | 132 | 82 | 19.8 |

each model: PF 1.95 THD 10% Operating Temp -40°F to 105°F
5% variation on published numbers

PACKAGING SPECIFICATIONS

| Fixture Length | Single Package Size (L x W x H) | Single Package Gross Weight (lbs.) | Qty. per CTN (PCS) | Carton Size (L x W x H) | Carton Gross Weight (lbs.) | Qty. per Pallet (PCS) | Pallet Size (L x W x H) | Pallet Gross Weight (lbs.) |
|----------------|---------------------------------|------------------------------------|--------------------|-------------------------|----------------------------|-----------------------|-------------------------|----------------------------|
| 4-foot | 47.4" x 4.75" x 4.5" | 5.4 | 4 | 49.5" x 9.5" x 10.5" | 27 | 64 | 49.5" x 38" x 45.5" | 482 |
| 5-foot | 63.2" x 4.75" x 4.5" | 7.3 | 4 | 63" x 9.6" x 10" | 32 | 64 | 63" x 40.5" x 43" | 572 |
| 8-foot | 101" x 7" x 5" | 20 | 1 | 101" x 7" x 5" | 20 | 54 | 101" x 43" x 49" | 1180 |



TOP AND
END ENTRY



Top Entry

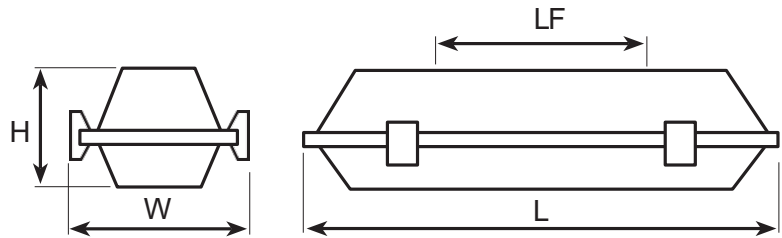
End Entry



Stainless Steel Clips

DIMENSIONS

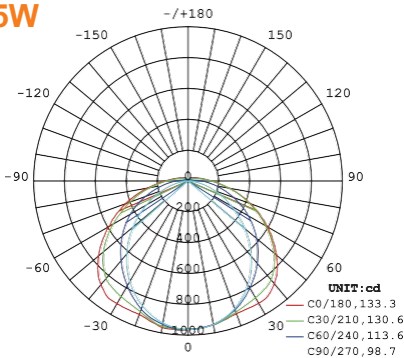
4' - 45.7" x 4.7" x 4.3"
 5' - 61.4" x 4.7" x 4.3"
 8' - 99" x 6" x 4"



OPTICS

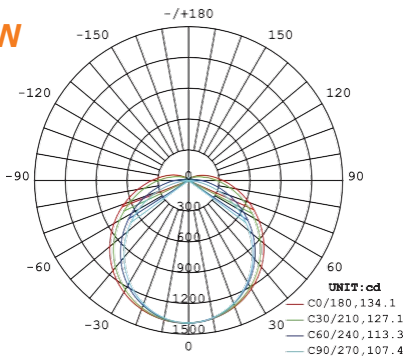
Luminous Intensity Distribution Curve

25W



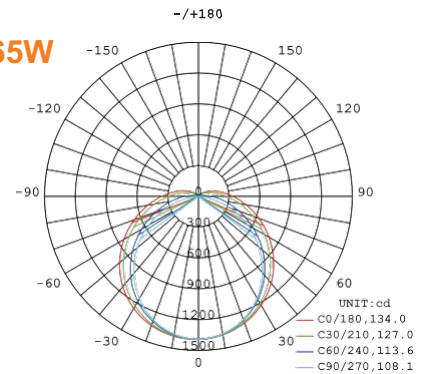
Average Beam Angle(50%): 119°

40W



Average Beam Angle(50%): 120.4°

65W

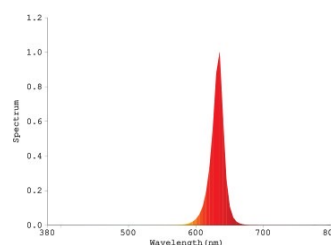


Average Beam Angle(50%): 120.7°

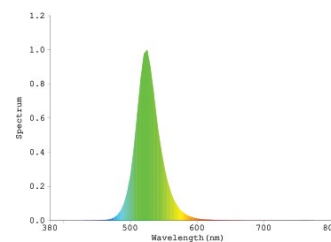
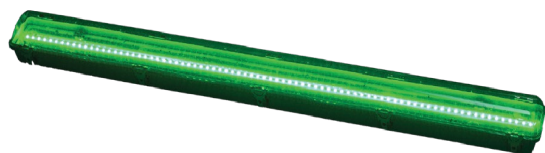
Maxim™ Specialty Series

- Maxim Specialty Series offers 3 colors with specific wavelengths
- Product is dimmable, IP66 (water proof) and NSF rated 

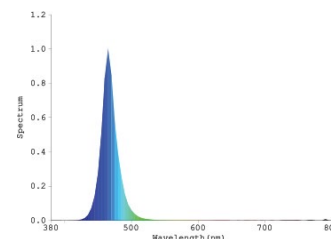
RED 620 nanometers



GREEN 525 nanometers



BLUE 465 nanometers



| Catalog Number | Length | Model Number | Wattage (Watts) | Dimensions (L x W x H) | Input (Volts) | Wavelength (Nanometers) | Optical | Net Weight (lbs.) | 1-10V Dimmable |
|----------------|--------|--------------|-----------------|------------------------|---------------|-------------------------|---------|-------------------|----------------|
| 3400R | 4-foot | MVT-48W-C-R | 24 | 45.7" x 4.7" x 4.3" | 120-277 | 620 | Clear | 4.8 | Yes |
| 3400G | 4-foot | MVT-48W-C-G | 38 | 45.7" x 4.7" x 4.3" | 120-277 | 525 | Clear | 4.8 | Yes |
| 3400B | 4-foot | MVT-48W-C-B | 38 | 45.7" x 4.7" x 4.3" | 120-277 | 465 | Clear | 4.8 | Yes |

each model: PF↑.95 THD↓10% Operating Temp -40°F to 105°F
5% variation on published numbers

Please send orders to:
Email: order@vm5lighting.com

We reserve the right to change our spec sheets at any time.





SENSOR INFORMATION

MC024S is an innovative and active motion detector with HF system 5.8GHz. Motion can be detected through plastic, glass and thin non-metal materials.

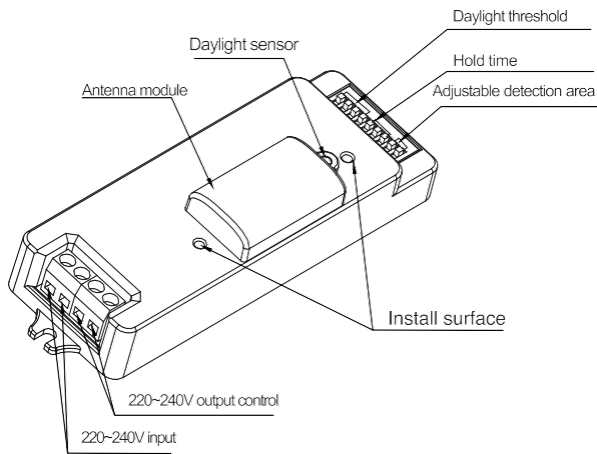
The sensor supplies a simple energy-saving solution to use light only when and where you need it. It automatically switches on/off light based on motion and ambient light level. Can control all kinds of lamps, for example, halogen, fluorescent and LED lights. Compact size and small casing, suitable to fix within most luminaires. 4-pole press-in terminal (L, N, N, L'), very easy to install.

The high quality relay is particularly suitable for commercial use with switching power up to 400W for LEDs and fluorescent lamps and up to 800W for incandescent lamps.

- Automatic switching based on motion and light level.
- Zero-crossing point operation helps protect the sensor against in-rush current.
- Compact size makes it suitable to fix within most luminaires.
- 4-pole press-in terminal (L, N, N, L'), easy assembly.
- Detection area, time delay and daylight threshold can be precisely set via DIP switch.

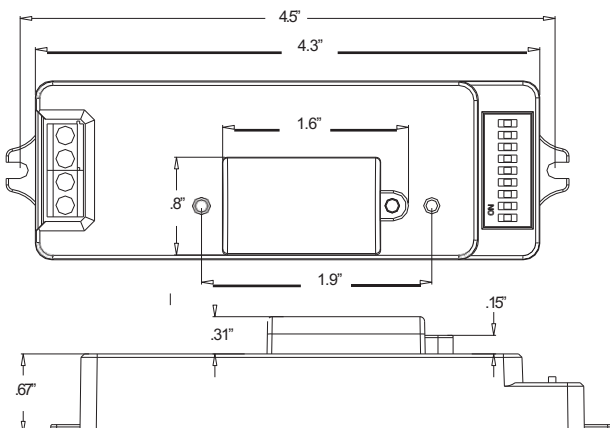


INFORMATION

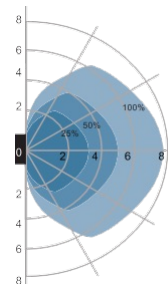


| | |
|------------------------------|--|
| Operating voltage | 120~277Vac, 50/60Hz |
| Rated load | 120V AC:200W(inductive), 400W (resistive), 220-240V : |
| HF system | 5.8GHz±75MHz, ISM wave band |
| Transmitting power | <0.5mW |
| Power consumption | ≤0.5W(standby), <1W(operation) |
| Detection zone | Max.(D x H): 10m x 6m |
| Detection sensitivity | 25% / 50% / 100% |
| Hold time | 5s / 1min / 5min / 15min / 30min |
| Daylight sensor | 5lux/10lux/20lux/30lux/50lux/Disable |
| Mounting height | 8m Max. |
| Motion detection | 0.5~3m/s |
| Detection angle | 150°(wall installation) 360°(ceiling installation) |
| Operating temp | -20°C~50°C |
| IP rating | IP20 |

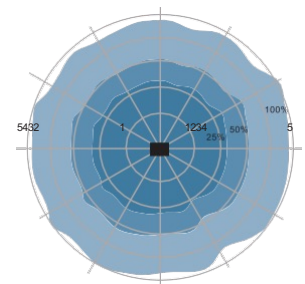
DIMENSIONS



DETECTION PATTERN



Wall mounting pattern (Unit: m)
Suggested installation height: 1-1.8m



Ceiling mounting pattern (Unit: m)
Suggested installation height: 2.5-6m